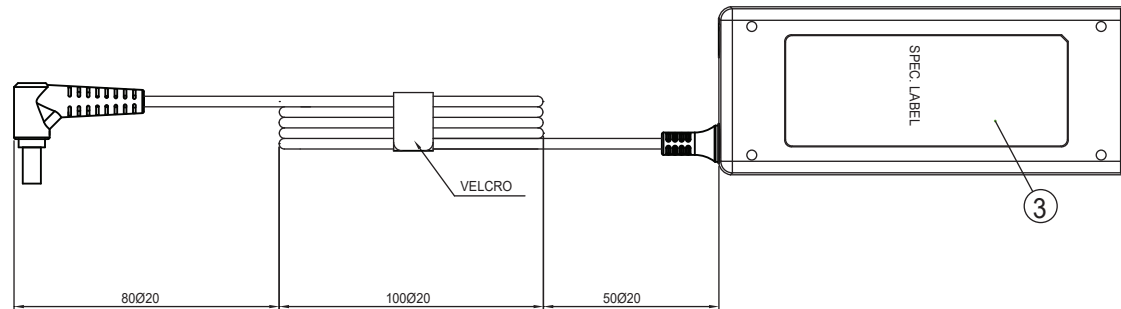
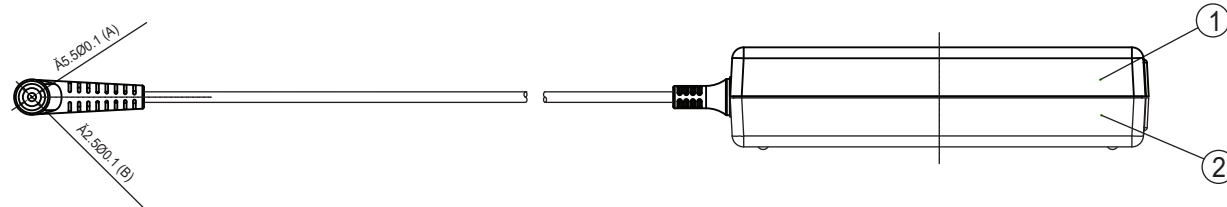
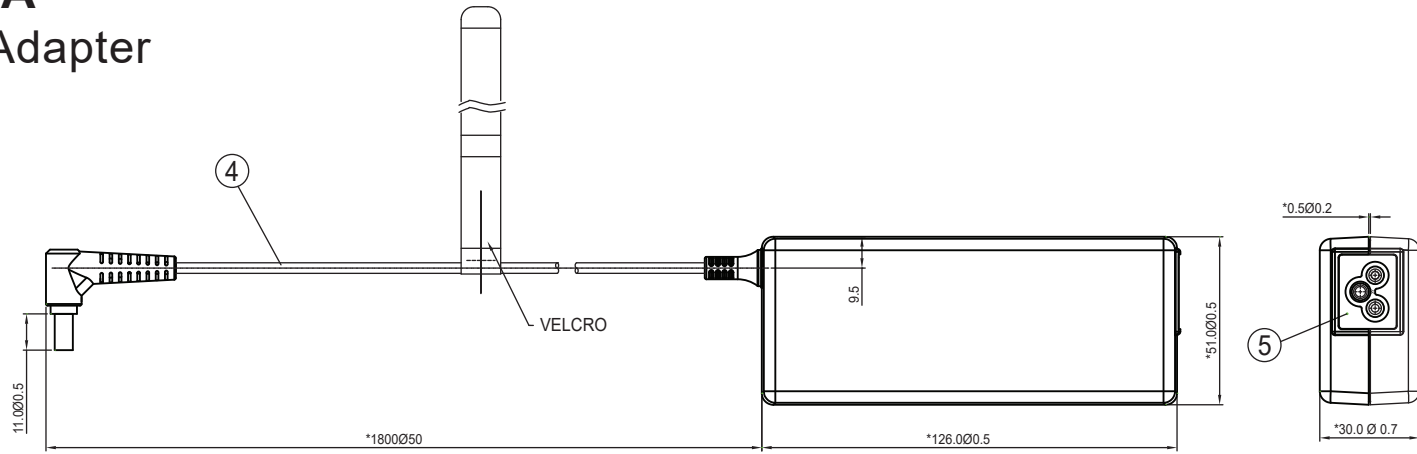


ADT-090A24AA F-A

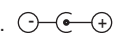
24V / 90W AC-DC Adapter

NO.	PLUG
A	OUTSIDE -
B	INSIDE +



ITEM	PART NAME	COLOR
①	COVER	BLACK
②	CHASSIS	BLACK
③	SPEC LABEL	BLACK
④	POWER CORD	BLACK
⑤	SOCKET ASS'Y	BLACK

NOTES:

1. THE COLOR OF PLUG'S INSULATOR: BLACK
2. THE PLUG'S TYPE: BARREL.
3. PLUG'S POLARITY: 
4. MARKED * MARK MUST BE INSPECTED AND CONTROLLED STRICTLY BY QA.

© 2020 Delta Electronics, Inc.

www.DeltaPSU.com

