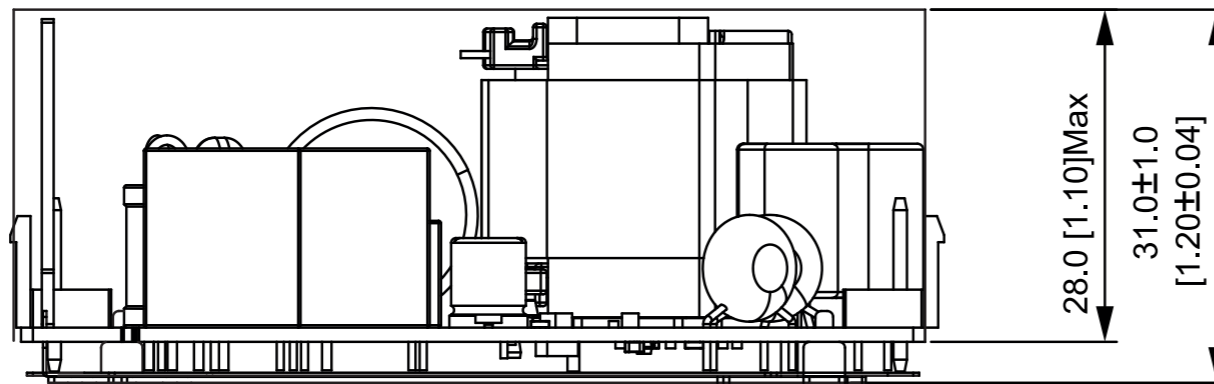
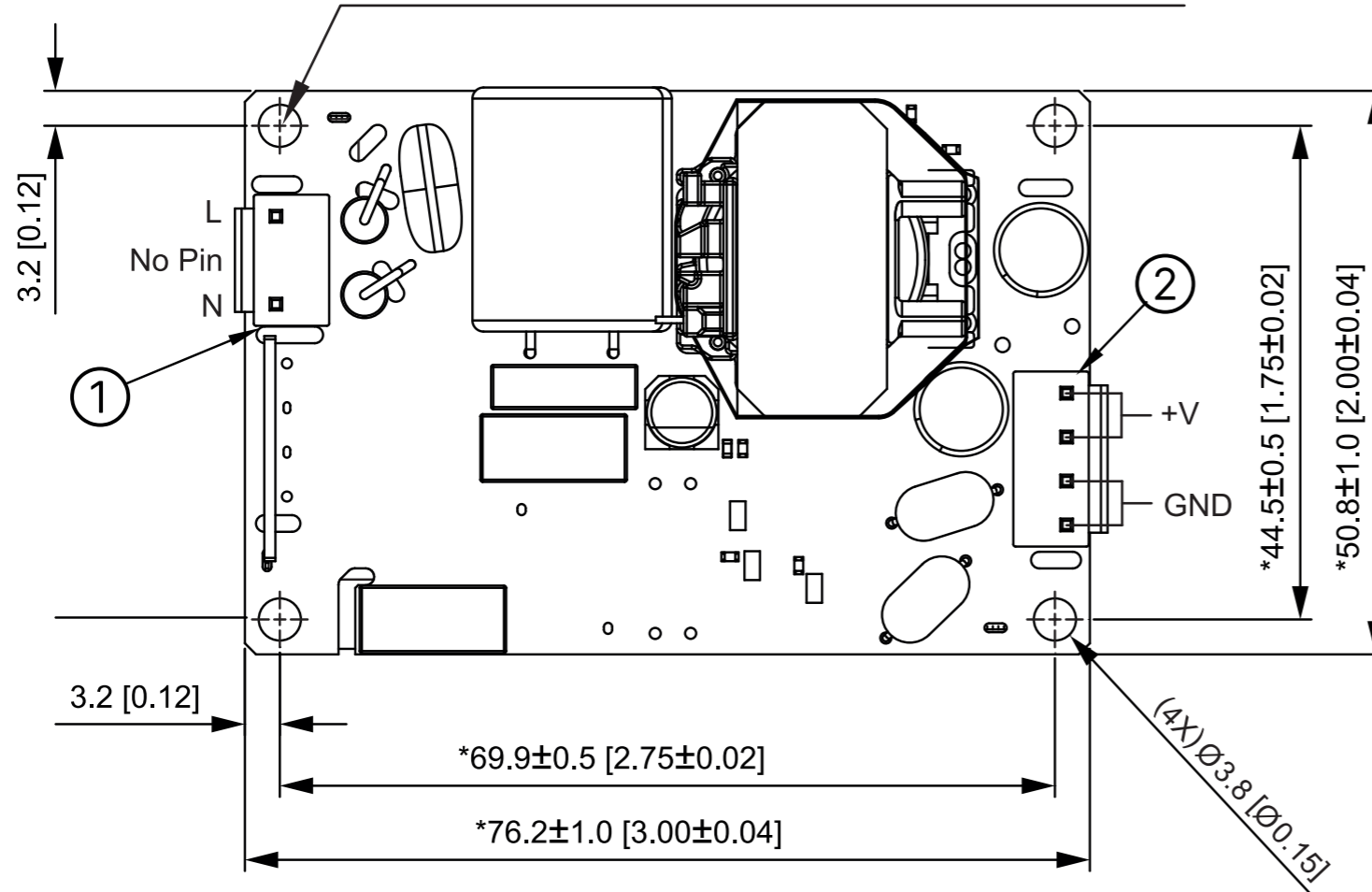


MEP

Medical Open Power Supply

MEP-120A□□J

THIS SCREW HOLE IS TO CONNECT TO EARTH WHEN SYSTEM IS CLASS I WITH EARTH CONNECTION.



NOTES:

1. MARKED WITH " * " MUST BE INSPECTED AND CONTROLLED STRICTLY BY QA.
2. THE DIAMETER OF METAL MOUNTING BLOTS UNDER THE PCBA MUST BE SMALLER THAN 7 mm TO KEEP THE SAFETY CLEARANCE AND CREEPAGE.

ITEM	PART	MATING
①	AC INPUT (CN1) JST, B2P3-VH(LF)(SN) or equivalent	JST, VHR-3N or equivalent
②	DC OUTPUT (CN101) JST, B4P-VH(LF)(SN) or equivalent	JST, VHR-4N or equivalent